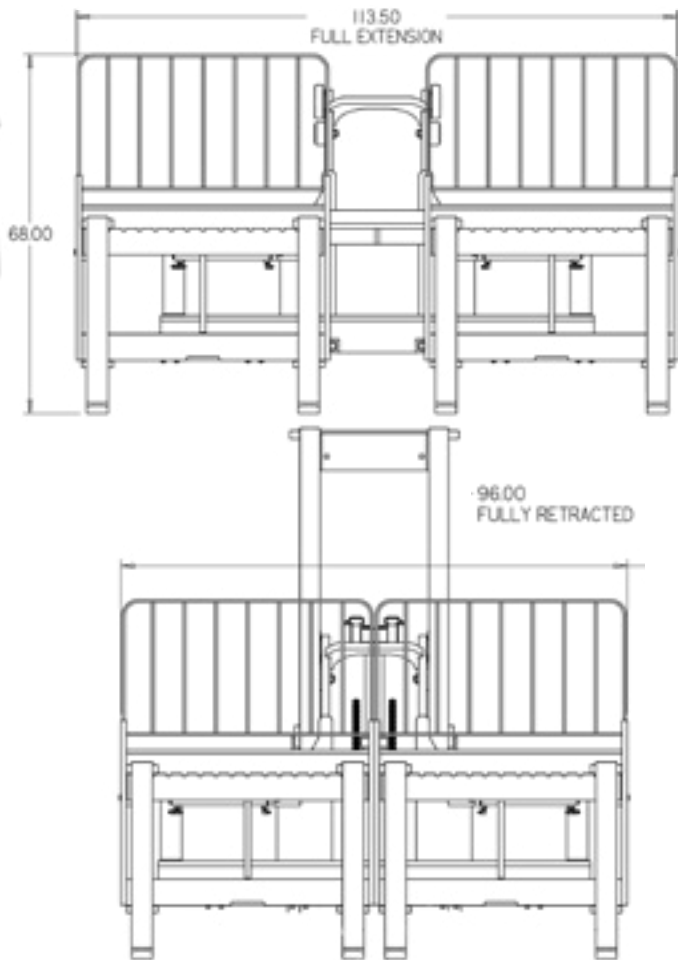


DIMENSIONS

Max height.....	140 in
Travel Height.....	133 in
Max length.....	290 in
Travel Length.....	250 in
Overall Track Width.....	99 in
Overall Machine Width.....	102 in
Mast retracted width.....	96 in
Mast extended width.....	113.5 in



ENGINE

ENGINE: CATERPILLAR C4.4 ACERT
2200-2400 rom, 62-106 bkW, 83-142 bhp
I-4, 4-Stroke-Cycle Diesel

Bore.....	105 mm (4.13 in)
Stroke	127 mm (5.0 in)
Displacement.....	4.4 L (269 in ³)
Aspiration.....	Turbocharged
Compression Ratio.....	16.2:1
Combustion System.....	Direct Injection
Capacity for Liquids Cooling System (engine only).....	7.4 U.S. qts
Lube Oil System (refill).....	up to 11.6 U.S. qts

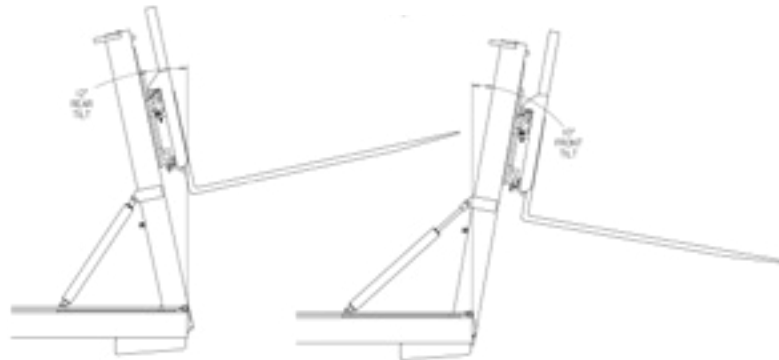
PUMP/HYDRAULICS

BERENDSEN FLUID POWER

Pump: SAUER 90 SERIES TANDEM 55CC	
Diesel Tank.....	45 U.S. gallons
Hydraulic Fluid Tank.....	20 U.S. gallons

FORKLIFT

Lift capacity.....	8,500 lbs at 45" load center
Fork Vertical Travel.....	72.0 in
Fork Horizontal Travel.....	82.75 in
Rear Tilt.....	12°
Front Tilt.....	10°



TRACKS

TRACKS: TRACK INNOVATION

Pressure.....	5000 psi
Flow per track.....	30.0 gpm
Wheelbase.....	88.6 in
Gauge.....	70 in
Trailing Width.....	94 in
Track Shoe Width.....	25 in
Ground PSI.....	5.7 psi
Traction.....	45,558 lbf
Rr.....	5,062 lbf

Max Performance

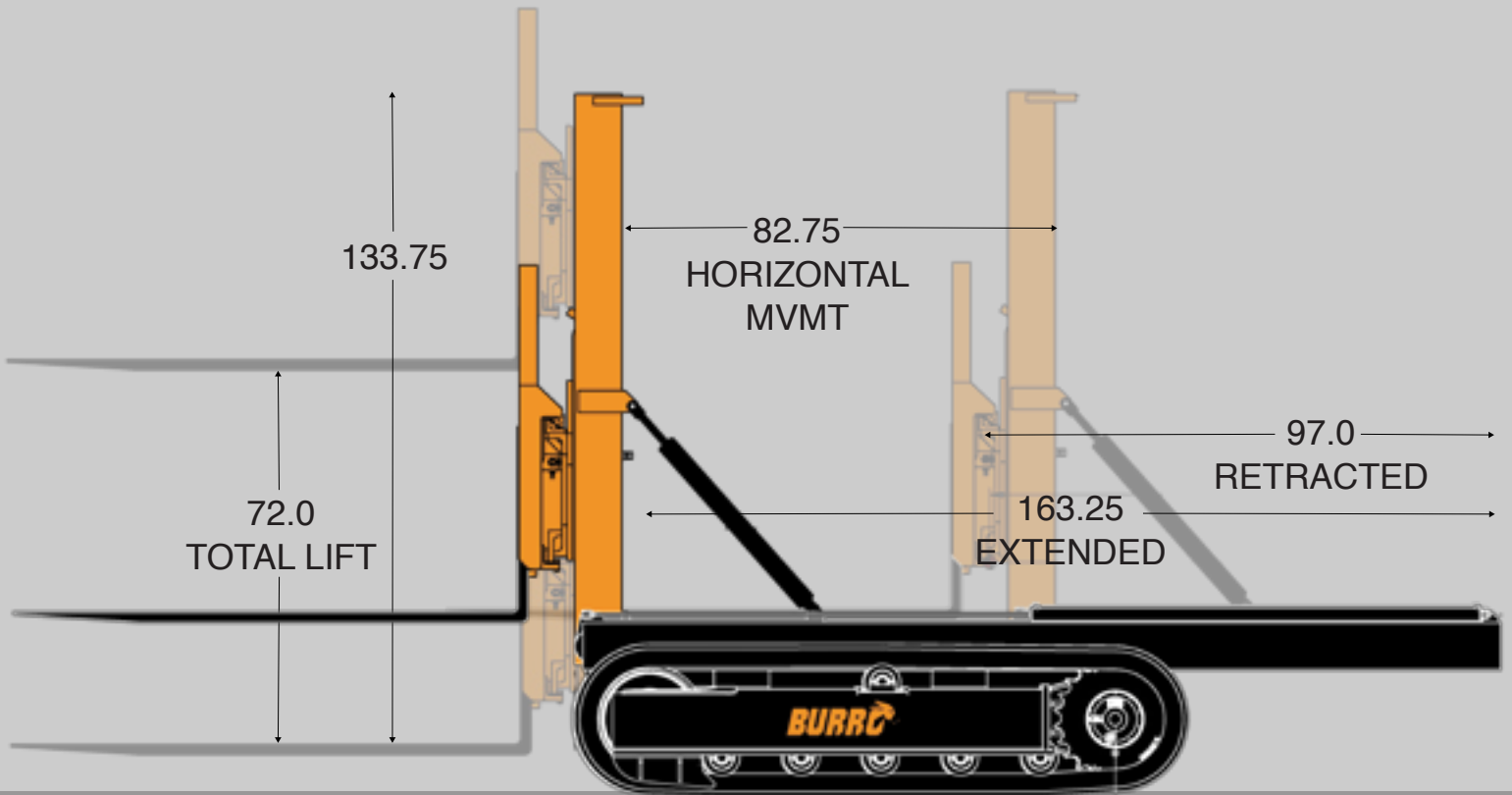
Gradeability.....	25° (46%)
Speed.....	3.6 to 6.4 mph
Tractive Effort.....	12,994 lbf
Drawbar Pull.....	10,489 lbf
Turnability.....	0.4/0.2

BURRO

WWW.SEJINTRACK.COM

BURRO

ALL-TERRAIN TRACKED FORKLIFT



WWW.SEJINTRACK.COM

SEJIN 

